

PLEASE CHECK WWW.MOLEX.COM FOR LATEST PART INFORMATION

Part Number: [0903270381](#)
Status: **Active**
Description: 1.27mm (.050") Pitch Picoflex® PF-50, Low Profile, IDT Receptacle, 18 Circuits, Natural, Tin Plated, Tin Plated, Reeling Option C

Documents:

[3D Model](#) [RoHS Certificate of Compliance \(PDF\)](#)
[Drawing \(PDF\)](#)

Agency Certification

CSA LR19980
 UL E29179

General

Product Family Ribbon Cable / Wire Trap Connectors
 Series [90327](#)
 Comments Low Profile|Reeling Option C
 Component Type Housing
 Glow-Wire Compliant No
 Product Name Picoflex®

Physical

Circuits (Loaded) 18
 Color - Resin Natural
 Durability (mating cycles max) 30
 Entry Angle 90° Angle
 Flammability 94V-0
 Lock to Mating Part Yes
 Material - Metal Phosphor Bronze
 Material - Plating Mating Tin
 Material - Plating Termination Tin
 Material - Resin Polyester
 Number of Rows 2
 PCB Retention None
 Packaging Type Embossed Tape on Reel
 Pitch - Mating Interface (in) 0.050 In
 Pitch - Mating Interface (mm) 1.27 mm
 Plating min: Mating (µin) 80.00
 Plating min: Mating (µm) 2.000
 Plating min: Termination (µin) 80.00
 Plating min: Termination (µm) 2.00
 Polarized to Mating Part Yes
 Stackable No
 Surface Mount Compatible (SMC) N/A
 Temperature Range - Operating -40°C to +105°C
 Termination Interface: Style IDT or Pierce
 Wire Insulation Diameter 1.00mm (.039") max.
 Wire Size AWG 26, 28
 Wire/Cable Type Ribbon Cable

Electrical

Current - Maximum per Contact 1.2A
 Voltage - Maximum 250V

Material Info

Reference - Drawing Numbers

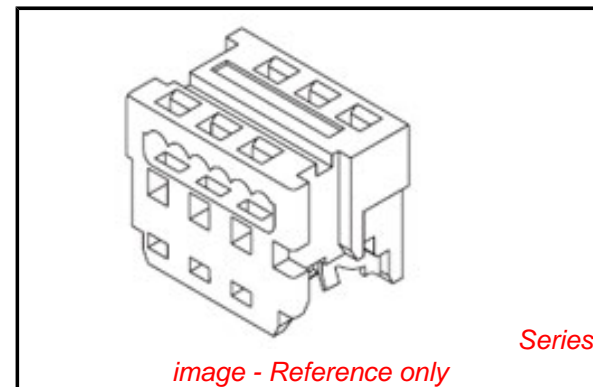


image - Reference only

EU RoHS

ELV and RoHS Compliant
REACH SVHC Contains SVHC: No
Halogen-Free Status
Not Reviewed

China RoHS



Need more information on product environmental compliance?

Email productcompliance@molex.com
 For a multiple part number RoHS Certificate of Compliance, [click here](#)

Please visit the [Contact Us](#) section for any non-product compliance questions.

Search Parts in this Series

[90327Series](#)

Mates With

Low Profile Vertical [90325](#) , Low Profile Right Angle [90800](#) , [90715](#) , [90814](#) , [90779](#) Vertical

Application Tooling | FAQ

Tooling specifications and manuals are found by selecting the products below. Crimp Height Specifications are then contained in the Application Tooling Specification document.

Global

| Description | Product # |
|---|----------------------------|
| Extraction Tool (Plastic) for 90327 Connector, 4-26 Circuit | 0690081070 |
| Extrator Tool for Picoflex™ Connectors | 0621006000 |

This document was generated on 03/17/2010

PLEASE CHECK WWW.MOLEX.COM FOR LATEST PART INFORMATION

10 9 8 7 6 5 4 3 2 1

NOTES#

1. APPL. CLASS TO DIN 40040 HME (-25°C/+100°C).
2. COMPATIBLE WITH MOLEX PT 90325.
3. USE WITH CABLES 28AWG STD. 26AWG STD. AND 26AWG (69 STRANDS) SUPERFLEX.
4. TERMINATION SPECIFICATION: ES-99033-0001.
5. PRODUCT SPECIFICATION: PS-99020-0011.

90 27- * 3 * *

0= 2um PRE TIN ASSY
 3= 0.76um GOLD ASSY
 SEE CONTACT PLATING NOTE

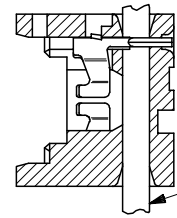
04 TO 26 = CCT SIZE, 51 TO 98
 = ASSY ON REELS, SEE CHART.
 COLOUR WHITE

HOUSING

MATL# POLYESTER RATED AT UL 94 V-0,
 COLOUR WHITE.

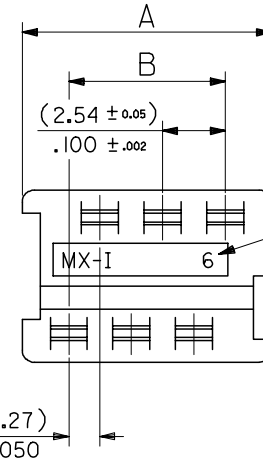
IDT CONTACT

MATL. PHOS BRONZE (0.17)/.0066
 THK HV 180-200
 PLATING. TIN# (2-4um)/80-160u" PURE TIN
 PLATING. GOLD# (1.3um)/50u" MIN. NICKEL
 UNDER (0.76um)/30u" SELECTIVE GOLD



RIBBON CABLE
 1.27mm PITCH

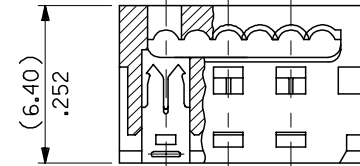
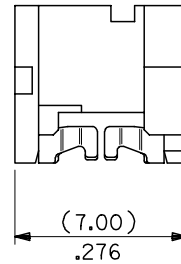
SECTION SHOWING
 ASSY AFTER TERMINATION
 SEE NOTE 6



NO. OF WAYS

MX-I 6

(1.27)
 .050



| | | | |
|--------------|----------|---------------|----------------|
| 90327 - *326 | 26 | (35.53)/1.399 | (31.75)/ 1.250 |
| ↑ - *324 | 24 | (32.99)/1.299 | (29.21)/1.150 |
| - *322 | 22 | (30.45)/1.199 | (26.67)/1.050 |
| - *320 | 20 | (27.91)/1.099 | (24.13)/ .950 |
| - *318 | 18 | (25.37)/ .999 | (21.59)/ .850 |
| - *316 | 16 | (22.83)/ .899 | (19.05)/ .750 |
| - *314 | 14 | (20.29)/ .799 | (16.51)/ .650 |
| - *312 | 12 | (17.75)/ .699 | (13.97)/ .550 |
| - *310 | 10 | (15.21)/ .599 | (11.43)/ .450 |
| - *308 | 8 | (12.67)/ .499 | (8.89)/ .350 |
| ↓ - *306 | 6 | (10.13)/ .399 | (6.35)/ .250 |
| 90327 - *304 | 4 | (7.59)/ .299 | (3.81)/ .150 |
| PART NO. | CCT SIZE | DIMENSION A | DIMENSION B |

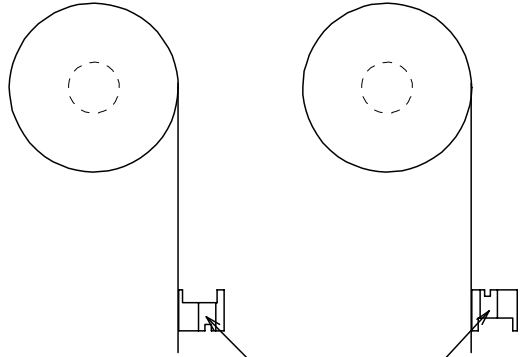
| | | | | | | |
|--|--|--|---|--------------------|---------------------------|------------------------|
| REMOVE COLOUR CODE EC NO: E2007-0940 DRWN:DMASZKLEWICZ 2007/06/07 CHKD:DMORJARTY 2007/06/11 APPR: DENNEHY 2007/06/14 | QUALITY SYMBOLS | GENERAL TOLERANCES (UNLESS SPECIFIED) | DIMENSION STYLE | SCALE | DESIGN UNITS | THIRD ANGLE PROJECTION |
| | ▽=0 ▽=0 | mm INCH | MM/IN | 5:1 | METRIC | |
| | | 4 PLACES ± --- ± --- 3 PLACES ± --- ± .004 2 PLACES ± 0.10 ± --- 1 PLACE ± --- ± --- ANGULAR ± 2 ° | DRAWN BY DATE NPC 1987/07/28 CHECKED BY DATE DMORJARTY 2004/09/15 APPROVED BY DATE JDENNDHY 2004/09/16 | TITLE | IDT ASSEMBLY PICO FLEX | |
| | DRAFT WHERE APPLICABLE MUST REMAIN WITHIN DIMENSIONS | SEE CHART | MATERIAL NO. | DOCUMENT NO. | SHEET NO. | |
| AF | | | SIZE A3 | MOLEX INCORPORATED | | 1 OF 2 |
| | | | THIS DRAWING CONTAINS INFORMATION THAT IS PROPRIETARY TO MOLEX INCORPORATED AND SHOULD NOT BE USED WITHOUT WRITTEN PERMISSION | | | |

9 8 7 6 5 4 3 2 1

10 9 8 7 6 5 4 3 2 1

REELING OPTION A

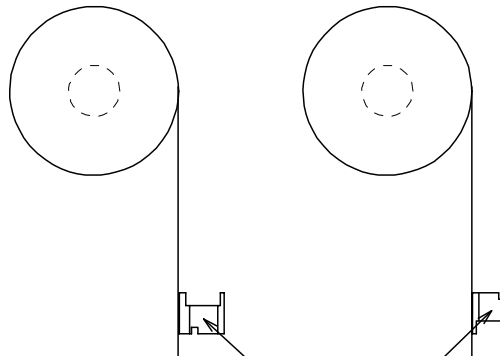
REELING OPTION B



NARROW POLARISING SLOT

REELING OPTION C

REELING OPTION D



WIDE POLARISING SLOT



| REEL ASSY NO. | PART NO. | CCT SIZE | REELING OPTION |
|---------------|------------|----------|----------------|
| 90327-*351 | 90327-*304 | 4 | A |
| ↑ *352 | ↑ | ↑ | B |
| ↓ *353 | ↓ | ↓ | C |
| 90327-*354 | 90327-*304 | 4 | D |
| 90327-*355 | 90327-*306 | 6 | A |
| ↑ *356 | ↑ | ↑ | B |
| ↓ *357 | ↓ | ↓ | C |
| 90327-*358 | 90327-*306 | 6 | D |
| 90327-*359 | 90327-*308 | 8 | A |
| ↑ *360 | ↑ | ↑ | B |
| ↓ *361 | ↓ | ↓ | C |
| 90327-*362 | 90327-*308 | 8 | D |
| 90327-*363 | 90327-*310 | 10 | A |
| ↑ *364 | ↑ | ↑ | B |
| ↓ *365 | ↓ | ↓ | C |
| 90327-*366 | 90327-*310 | 10 | D |
| 90327-*367 | 90327-*312 | 12 | A |
| ↑ *368 | ↑ | ↑ | B |
| ↓ *369 | ↓ | ↓ | C |
| 90327-*370 | 90327-*312 | 12 | D |
| 90327-*371 | 90327-*314 | 14 | A |
| ↑ *372 | ↑ | ↑ | B |
| ↓ *373 | ↓ | ↓ | C |
| 90327-*374 | 90327-*314 | 14 | D |

| REEL ASSY NO. | PART NO. | CCT SIZE | REELING OPTION |
|---------------|------------|----------|----------------|
| 90327-*375 | 90327-*316 | 16 | A |
| ↑ *376 | ↑ | ↑ | B |
| ↓ *377 | ↓ | ↓ | C |
| 90327-*378 | 90327-*316 | 16 | D |
| 90327-*379 | 90327-*318 | 18 | A |
| ↑ *380 | ↑ | ↑ | B |
| ↓ *381 | ↓ | ↓ | C |
| 90327-*382 | 90327-*318 | 18 | D |
| 90327-*383 | 90327-*320 | 20 | A |
| ↑ *384 | ↑ | ↑ | B |
| ↓ *385 | ↓ | ↓ | C |
| 90327-*386 | 90327-*320 | 20 | D |
| 90327-*387 | 90327-*326 | 26 | A |
| ↑ *388 | ↑ | ↑ | B |
| ↓ *389 | ↓ | ↓ | C |
| 90327-*390 | 90327-*326 | 26 | D |
| 90327-*391 | 90327-*322 | 22 | A |
| ↑ *392 | ↑ | ↑ | B |
| ↓ *393 | ↓ | ↓ | C |
| 90327-*394 | 90327-*322 | 22 | D |
| 90327-*395 | 90327-*324 | 24 | A |
| ↑ *396 | ↑ | ↑ | B |
| ↓ *397 | ↓ | ↓ | C |
| 90327-*398 | 90327-*324 | 24 | D |

| | |
|--------------------------------|-------------|
| REVISION UPDATE | DESCRIPTION |
| EC NO: E2007-0940 | |
| DRWN:DMASZKI/EMI/CZ 2007/06/07 | |
| CHKD:DMORJARTY 2007/06/11 | |
| APPR: JDENNEHY 2007/06/14 | |
| AE | REV |

| | |
|-----------------|-------------|
| QUALITY SYMBOLS | DESCRIPTION |
| ▽=0 | |
| ▽C=0 | |

| | |
|--|----------------------|
| GENERAL TOLERANCES (UNLESS SPECIFIED) | DIMENSION STYLE |
| | MM/IN |
| 4 PLACES ± --- ± --- | DRAWN BY DATE |
| 3 PLACES ± --- ± --- | PAD 1991/02/27 |
| 2 PLACES ± --- ± --- | CHECKED BY DATE |
| 1 PLACE ± --- ± --- | DMORJARTY 2004/09/15 |
| ANGULAR ± 2 ° | APPROVED BY DATE |
| | JDENNEHY 2004/09/16 |
| DRAFT WHERE APPLICABLE MUST REMAIN WITHIN DIMENSIONS | MATERIAL NO. |
| | SEE CHART |

| | | |
|--------------------------|--------------|------------------------|
| SCALE | DESIGN UNITS | THIRD ANGLE PROJECTION |
| NTS | METRIC | |
| TITLE | | |
| IDT ASSEMBLY PICOFLEX | | |
| MOLEX MOLEX INCORPORATED | | |
| DOCUMENT NO. | SHEET NO. | |
| SDA-90327 | 2 OF 2 | |

| | | |
|---|--|--|
| THIS DRAWING CONTAINS INFORMATION THAT IS PROPRIETARY TO MOLEX INCORPORATED AND SHOULD NOT BE USED WITHOUT WRITTEN PERMISSION | | |
|---|--|--|

9 8 7 6 5 4 3 2 1